



at&t

## Quick start guide

CL2909

Speakerphone with caller ID/call waiting



This quick start guide provides you with basic installation and use instructions. A limited set of features are described in an abridged form.

Please refer to the online user's manual for a full set of installation and operation instructions at [www.telephones.att.com/manuals](http://www.telephones.att.com/manuals). Before using this AT&T product, please read **Important safety information** on pages 14-15 of this quick start guide.

# Parts checklist

## Your package contains:

- Telephone base with mounting bracket and directory card attached
- Handset
- Coiled handset cord
- Telephone line cord
- Quick start guide

# Basic steps to set up & operate your phone

## Basic installation

- 1 Install battery
- 2 Install telephone base
- 3 Wall mount installation (optional)

## Common settings

- 4 Set the date and time
- 5 Set ringer volume
- 6 Set contrast
- 7 Set home area code
- 8 Set local area code

## Common operations

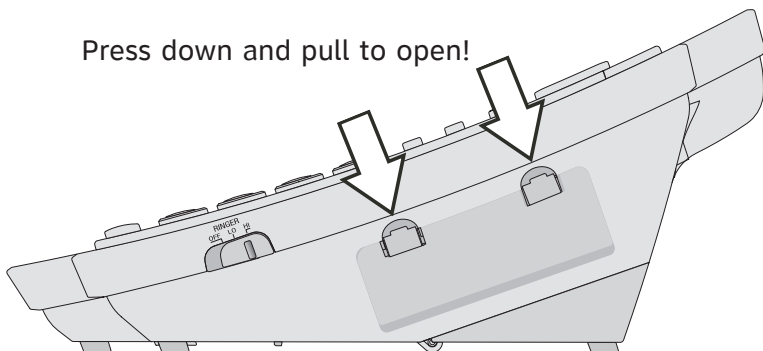
- 9 Directory
- 10 Speed dial
- 11 Caller ID

**1**

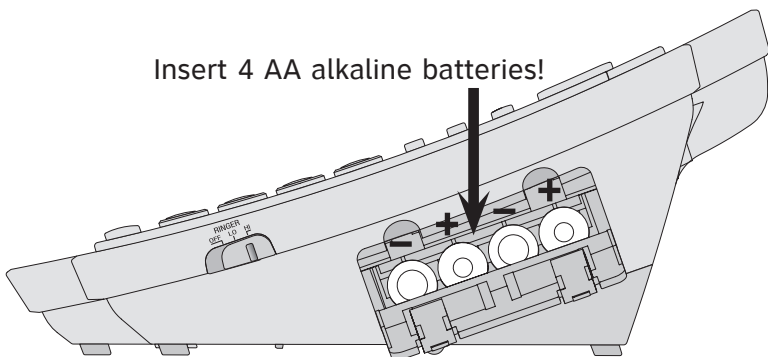
# Install battery

**1**

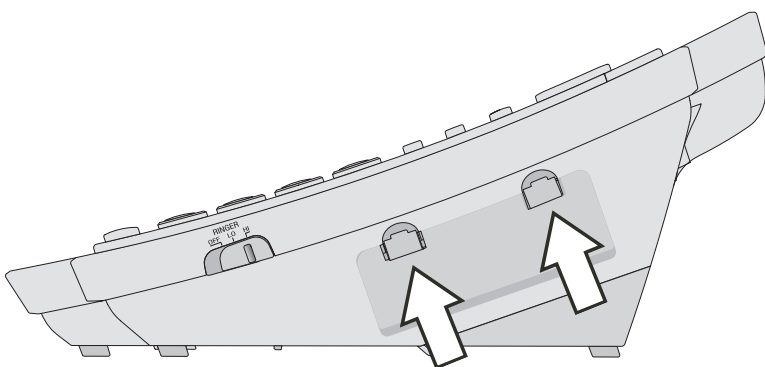
Press down and pull to open!

**2**

Insert 4 AA alkaline batteries!

**3**

Close and snap into place!

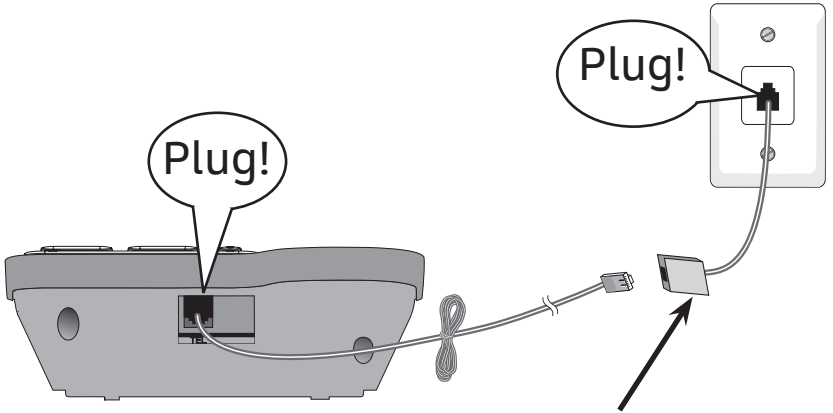


**CAUTION:** Always unplug the telephone line cord before installing new batteries.

## 2

## Install telephone base

1



If you have DSL high-speed Internet service, a DSL filter (not included) is required. The DSL filter must be plugged into the telephone wall jack.

2



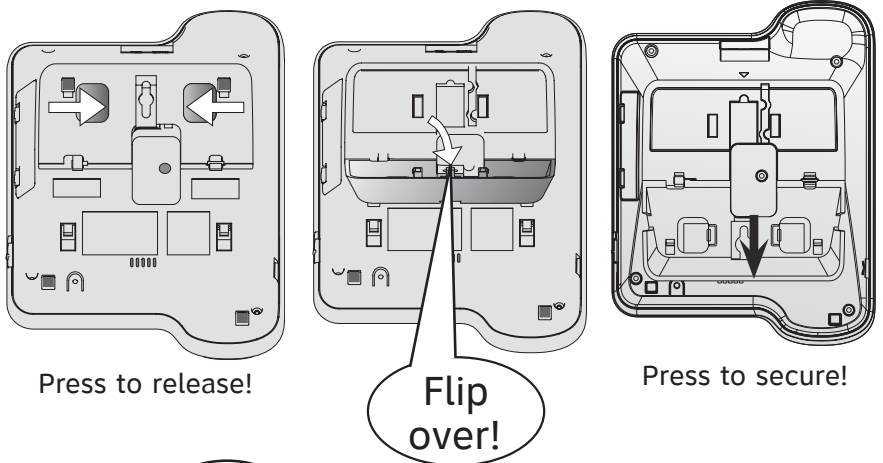
### 3

## Wall mount installation (optional)

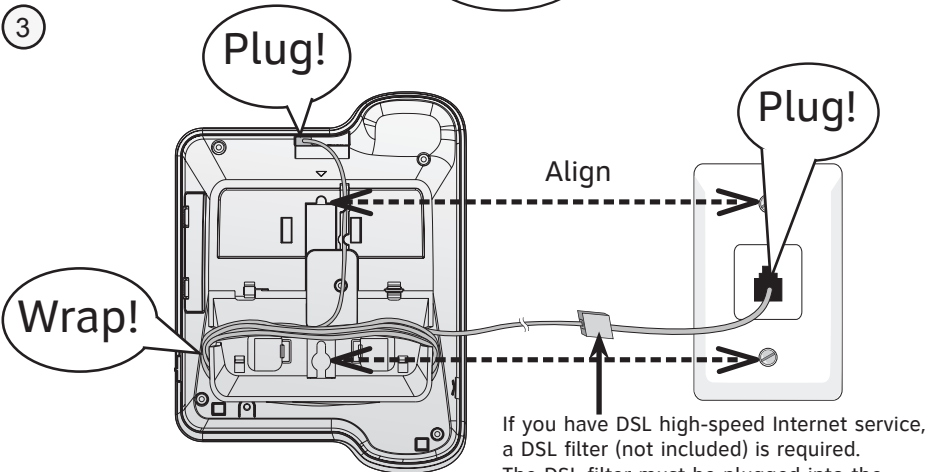
1



2



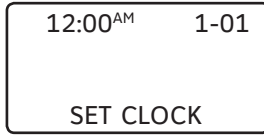
3



## 4

## Set date and time

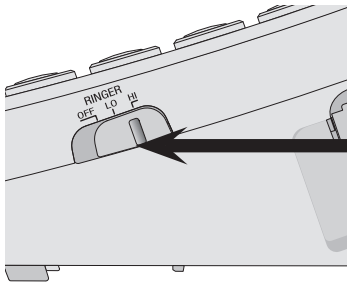
1. Press **OPTIONS** repeatedly until the screen displays:



2. Use the dial pad keys (0-9) to change the blinking digits.
  - Press ▲ or ▼ to move to the previous or next digit.
  - Press # (pound key) to select between **AM** and **PM**.
3. Press **OPTIONS** to save the new setting and move to the next option.

## 5

## Set ringer volume



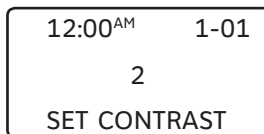
Slide the ringer switch on the right side of the telephone to adjust the ringer volume to **OFF**, **LO** or **HI**.

## 6

## Set contrast

Adjust the screen brightness to a comfortable level, from 1 (light) to 4 (dark).

1. Press **OPTIONS** repeatedly until the screen displays:



2. Press ▲/▼ until the screen displays the contrast level you prefer.
3. Press **OPTIONS** to save the setting.

# 7

## Set home area code

1. Press **OPTIONS** repeatedly until the screen displays:

12:00<sup>AM</sup> 1-01  
HAC-\_\_\_\_  
HOME AREA CODE?

2. Use the dial pad keys (0-9) to enter the home area code.
  - Press ▲ to backspace and erase a digit.
  - Press ▼ to move to the next digit.
  - Press **REMOVE** to delete all digits entered.
3. Press **OPTIONS** to save the setting.

# 8

## Set local area code

1. Press **OPTIONS** repeatedly until the screen displays:

12:00<sup>AM</sup> 1-01  
LAC1-\_\_\_\_  
LOCL AREA CODE?

2. Use the dial pad keys (0-9) to enter the local area code.
  - Press ▲ to backspace and erase a digit.
  - Press ▼ to move to the next digit.
  - Press **REMOVE** to delete all digits entered.
3. Press **OPTIONS** to save the setting.
4. Repeat steps 2-3 to set more local area codes.

This telephone has a directory where you can store up to 25 telephone numbers and names. Numbers can be up to 24 digits long and names can be up to 15 characters.

### To add a directory entry:

1. Press **DIRECTORY** -> ▲/▼ -> **STORE** is flashing -> **OPTIONS**.
2. Enter the telephone number -> **OPTIONS**.
3. Enter the name -> **OPTIONS**.

### To review and dial a directory entry:

1. Press **DIRECTORY** -> **OPTIONS**.
2. Press ▲/▼ to scroll through the directory -> press **DISPLAY DIAL** then lift the handset to call.

### To delete a directory entry:

1. Press **DIRECTORY** -> **OPTIONS**.
2. Press ▲/▼ to scroll to the desired directory -> **REMOVE**.

There are 14 speed dial locations (seven upper and seven lower). To access an upper location, press a speed dial key. To access a lower location, press **LOWER**, then press a speed dial key.

### To assign a speed dial entry:

1. Press a speed dial location, or press **LOWER** then the desired speed dial location.
2. Enter the telephone number -> **PROG**.

### To dial a speed dial entry:

1. Lift the handset or press **☎SPEAKER**.
2. Press the desired speed dial location, or press **LOWER** then the desired speed dial location.

### To delete a speed dial entry:

Press the desired speed dial location, or press **LOWER** then the desired speed dial location -> **REMOVE**.



**To review the call history:**

1. Press **CALL LIST ▲** or **CALL LIST ▼** to enter the call history.
2. Press **▲/▼** to scroll through the caller ID entries.
3. Press **CLEAR** to exit and return to idle mode.

**To dial a caller ID entry:**

Lift the handset -> press **▲/▼** to scroll to the desired entry -> **DISPLAY DIAL.**

**-OR-**

Press **▲/▼** to scroll to the desired entry -> Press **◀▶ SPEAKER.**

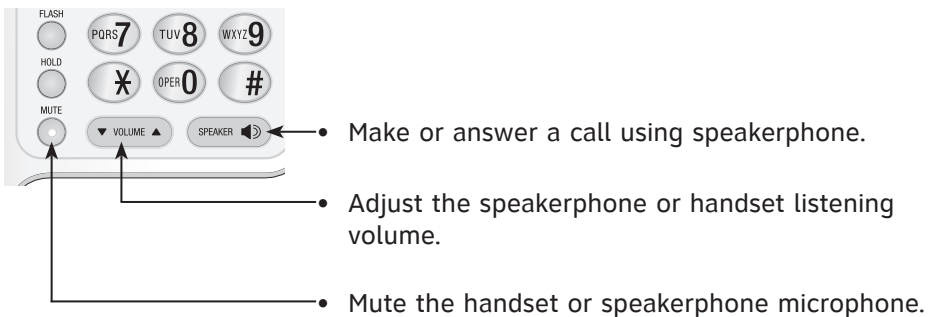
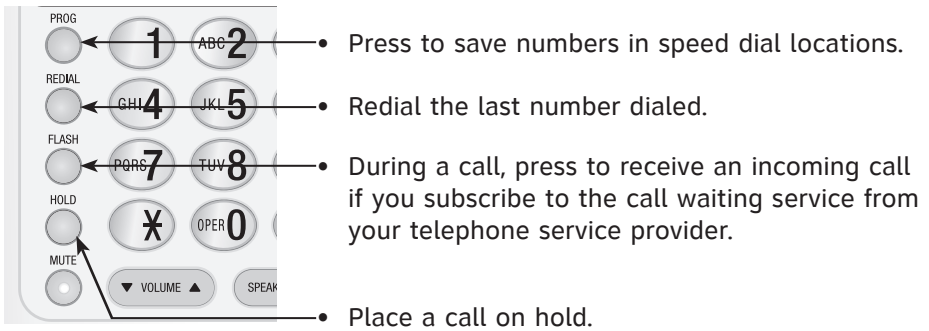
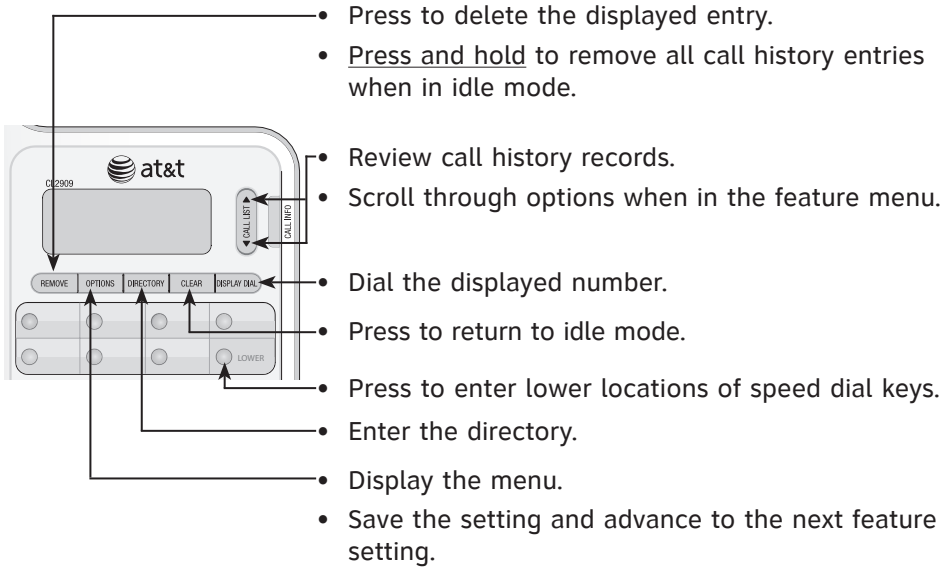
**To delete call records:****Delete a single call record**

**▲/▼** to scroll to the desired caller ID entry -> **REMOVE.**

**Delete all call records**

When the telephone is idle, press and hold **REMOVE** -> **REMOVE.**

# Telephone operation



# Troubleshooting

If you have difficulty with your telephone, please try the suggestions below. For customer service, visit our website at [www.telephones.att.com](http://www.telephones.att.com), or call **1 (800) 222-3111**. In Canada, dial **1 (866) 288-4268**.

## No dial tone.

- Make sure all plugs are connected properly. Inspect the telephone line cord connections at the wall jack and telephone. Also inspect the coiled handset cord connections at both ends.
- Unplug the telephone and connect it to another wall jack. If it still does not work and other telephones in your home are working, the problem is with this telephone.

## Telephone does not ring.

- Make sure the **RINGER** switch is set to **LO** or **HI**.
- If there are several other telephones on the same line, try disconnecting some of the other telephones. Having too many telephones connected can also create problems such as low ringer volume or impaired sound quality during calls.

## Difficulty storing numbers in memory.

- Make sure you are pressing the correct sequence of keys for storing numbers.
- If you are interrupted by a recorded announcement asking you to hang up or by a loud buzzing noise, hang up and store the number without lifting the handset.

## Screen is blank

- Make sure the batteries are correctly installed.
- Replace batteries with new batteries.

## Caller ID isn't working.

- Caller ID is a subscription service. You must subscribe to this service from your telephone service provider for this feature to work on your telephone.
- If you subscribe to high-speed Internet service (DSL - digital subscriber line) through your telephone line, you must install a DSL filter between the telephone line cord and the telephone wall jack. The filter prevents noise and caller ID problems caused by DSL interference. Please contact your DSL service provider for more information about DSL filters.
- Your caller must be calling from an area that supports caller ID.
- Both your and your caller's telephone service providers must use equipment that is compatible with caller ID.

# Troubleshooting

## **No caller ID information while on a call.**

- Make sure your telephone service provider provides caller ID information while you are on a call. This is sometimes known as caller ID on call waiting or type 2 caller ID.
- The telephone cannot display the caller ID information if another telephone on the same line is in use. Make sure all extensions are on hook.

## **DISPLAY DIAL does not work.**

- A home area code must be programmed. If you try to dial a number displayed on the screen before entering a home area code, you will be prompted to enter the home area code. Enter the code or enter **000** if you dial 10-digit telephone numbers, then press **OPTIONS**.

## **Screen incorrectly displays LINE IN USE.**

- Make sure the telephone line cord is connected properly.

## **I subscribe to a nontraditional telephone service that uses my computer to establish connections, and my telephone doesn't work.**

- Make sure your computer is powered on.
- Make sure your Internet connection is working properly.
- Make sure that the software is installed and running for your nontraditional telephone service.
- Make sure to plug your USB telephone adapter into a dedicated USB port on your computer. Do not plug into a multiple port USB hub (USB splitter) that is not powered.
- In a few rare instances, the USB port on your computer may not have enough power. In these instances, try using a USB hub with its own external power supply.
- If you are using a firewall, it may prevent access to your nontraditional telephone service. Contact your service provider for more information.

# Maintenance

## **Taking care of your telephone**

- Your telephone contains sophisticated electronic parts, so it must be treated with care.

## **Avoid rough treatment.**

- Place the handset down gently. Save the original packing materials to protect your telephone if you ever need to ship it.

## **Avoid water**

- Your telephone can be damaged if it gets wet. Do not handle it with wet hands. Do not install the telephone near a sink, bathtub or shower.

## **Electrical storms**

- Electrical storms can sometimes cause power surges harmful to electronic equipment. For your own safety, take caution when using electric appliances during storms.

## **Cleaning your telephone**

- Your telephone has a durable plastic casing that should retain its luster for many years. Clean it only with a soft cloth slightly dampened with water or a mild soap.
- Do not use excess water or cleaning solvents of any kind.

Remember that electrical appliances can cause serious injury if used when you are wet or standing in water. If the telephone base should fall into water, DO NOT RETRIEVE IT UNTIL YOU UNPLUG THE TELEPHONE LINE CORD FROM THE WALL, then pull the unit out by the unplugged cord.

# Important safety information



This symbol is to alert you to important operating or servicing instructions that may appear in this user's manual. Always follow basic safety precautions when using this product to reduce the risk of injury, fire, or electric shock.

## Safety information

---

- **Read and understand all instructions in the user's manual. Observe all markings on the product.**
- **Avoid using a telephone during a thunderstorm.** There may be a slight chance of electric shock from lightning.
- **Do not use a telephone in the vicinity of a gas leak.** If you suspect a gas leak, report it immediately, but use a telephone away from the area where gas is leaking. If this product is a cordless model, make sure the telephone base is also away from the area.
- **Do not use this product near water, or when you are wet.** For example, do not use it in a wet basement or shower, or next to a swimming pool, bathtub, kitchen sink, or laundry tub. Do not use liquids or aerosol sprays for cleaning. If the product comes in contact with any liquids, unplug any line or power cord immediately. Do not plug the product back in until it has dried thoroughly.
- **Install this product in a protected location where no one can trip over any line or power cords.** Protect cords from damage or abrasion.
- **If this product does not operate normally, see the Troubleshooting section on pages 11-12 of this user's manual.** If you cannot solve the problem, or if the product is damaged, refer to the **Limited warranty** on pages 18-21. Do not open this product except as may be directed in your user's manual. Opening the product or reassembling it incorrectly may expose you to hazardous voltages or other risks.
- **If this product has replaceable batteries, replace batteries only as described in your user's manual.** Do not burn or puncture batteries—they contain caustic chemicals. (Refer to **Install battery** on page 3).
- **If this product has a three-prong (grounding) plug or a polarized plug with one wide prong, it may not fit in outlets that are not polarized.** Do not defeat the purpose of these plugs. If they do not fit in your outlet, the outlet should be replaced by an electrician.

# Important safety information

## Battery warning information

---



**CAUTION:** To reduce the risk of fire or injury to persons or damage to the telephone, read and follow these instructions carefully:

1. Use only four AA alkaline batteries (not included).
2. Dispose of these batteries in a safe manner. Do not burn or puncture. Like other batteries of this type, if burned or punctured, they could release caustic material which could cause injury.
3. Do not open or mutilate the battery. Released electrolyte is corrosive and may cause damage to the eyes or skin. It may be toxic if swallowed.
4. Exercise care in handling batteries in order not to create a short circuit. Do not allow conductive materials such as rings, bracelets, or keys to touch the battery. The battery or conductor may overheat and cause harm.
5. Use the battery identified for use with this product only in accordance with the instructions and limitations specified in this manual.
6. Observe proper polarity orientation between the battery and metallic contacts.
7. Do not disassemble your telephone. There are no serviceable parts inside. Refer to qualified service personnel for servicing.

**SAVE THESE INSTRUCTIONS**

# FCC and ACTA information

If this equipment was approved for connection to the telephone network prior to July 23, 2001, it complies with Part 68 of the Federal Communications Commission (FCC) rules. If the equipment was approved after that date, it complies with the Part 68 rules and with the Technical Requirements for Connection of Equipment to the Telephone Network adopted by the Administrative Council for Terminal Attachments (ACTA). We are required to provide you with the following information.

## **1. Product identifier and REN information**

The label on the back or bottom of this equipment contains, among other things, an identifier indicating product approval and the Ringer Equivalence Number (REN). This information must be provided to your telephone service provider upon request. For equipment approved prior to July 23, 2001, the product identifier is preceded by the phrase "FCC Reg No." and the REN is listed separately. For equipment approved after that date, the product identifier is preceded by "US" and a colon (:), and the REN is encoded in the product identifier without a decimal point as the sixth and seventh characters following the colon. For example, the product identifier US:AAAEQ03T123XYZ indicates the REN would be 0.3.

The REN is used to determine how many devices you can connect to your telephone line and still have them ring when you are called. In most, but not all areas, the sum of all RENs should be five (5.0) or less. You might want to contact your telephone service provider for more information.

## **2. Connection and use with the nationwide telephone network**

The plug and jack used to connect this equipment to the premises wiring and the telephone network must comply with the applicable Part 68 rules and technical requirements adopted by ACTA. A compliant telephone cord and modular plug is provided with this product. It is designed to be connected to a compatible modular wall jack that is also compliant. An RJ11 jack should normally be used for connecting to a single line and an RJ14 jack for two lines, see installation instructions in the user's manual. This equipment may not be used with coin telephone lines or with party lines. If you have specially wired alarm dialing equipment connected to your telephone line, ensure the connection of this equipment does not disable your alarm equipment. If you have questions about what will disable the alarm equipment, consult your telephone service provider or qualified installer.



# FCC and ACTA information

## 3. Repair instructions

If this equipment is malfunctioning, it must be unplugged from the modular wall jack until the problem has been corrected. Repairs to this telephone equipment can only be made by the manufacturer or its authorized agents. For repair procedures, follow the instructions outlined under the limited warranty.

## 4. Rights of the telephone service provider

If this equipment is causing harm to the telephone network, the telephone service provider may temporarily discontinue your telephone service. The telephone service provider is required to notify you before interrupting service. If advance notice is not practical, you will be notified as soon as possible. You will be given the opportunity to correct the problem and the telephone service provider is required to inform you of your right to file a complaint with the FCC. Your telephone service provider may make changes in its facilities, equipment, operation, or procedures that could affect the proper functioning of this product. The telephone service provider is required to notify you if such changes are planned.

## 5. Hearing aid compatibility

If this product is equipped with a corded or cordless handset, it is hearing aid compatible.

## 6. Programming/testing of emergency numbers

If this product has memory dialing locations, you may choose to store police, fire department and emergency medical service telephone numbers in these locations. If you do, please keep three things in mind:

- a. We recommend that you also write the telephone number on the directory card (if applicable), so that you can still dial the emergency number manually if the memory dialing feature doesn't work.
- b. This feature is provided only as a convenience, and the manufacturer assumes no responsibility for customer reliance upon the memory feature.
- c. Testing the emergency telephone numbers you have stored is not recommended. However, if you do make a call to an emergency number:
  - You must remain on the line and briefly explain the reason for the call before hanging up.
  - Programming/testing of emergency numbers should be performed during off-peak hours, such as in the early morning or late evening, when the emergency services tend to be less busy.

## Part 15 of FCC rules

Some telephone equipment generates, uses, and can radiate radio frequency energy and, if not installed and used properly, may cause interference to radio and television reception. This product has been tested and found to meet the standards for a Class B digital device, as specified in Part 15 of the FCC rules. These specifications are designed to provide reasonable protection against such interference in a residential installation. However, there is no guarantee that interference will not occur in a particular installation. If this product causes interference to radio, VCR or television reception when it is in use, you might correct the interference with any one or all of these measures:

- Where it can be done safely, reorient the receiving radio, VCR or television antenna.
- To the extent possible, relocate the radio, VCR, television or other receiver with respect to the telephone equipment.
- If this telephone product runs on AC power, plug your product into an AC outlet that's not on the same circuit as one used by your radio, VCR or television.
- Consult a dealer or an experienced radio/TV technician for help.

**Modifications to this product, not expressly approved by the manufacturer, could void the user's authority to operate the equipment.**

## Limited warranty

The AT&T brand is used under license - any repair, replacement or warranty service, and all questions about this product should be directed to: In the United States of America, visit **[www.telephones.att.com](http://www.telephones.att.com)** or call **1 (800) 222-3111**. In Canada, call **1 (866) 288-4268**.

### 1. What does this limited warranty cover?

The manufacturer of this AT&T branded product warrants to the holder of a valid proof of purchase ("CONSUMER" or "you") that the product and all accessories provided in the sales package ("PRODUCT") are free from defects in material and workmanship, pursuant to the following terms and conditions, when installed and used normally and in accordance with the PRODUCT operating instructions. This limited warranty extends only to the CONSUMER for products purchased and used in the United States of America and Canada.

# Limited warranty

## **2. What will be done if the PRODUCT is not free from defects in materials and workmanship during the limited warranty period (“materially defective PRODUCT”)?**

During the limited warranty period, the manufacturer’s authorized service representative will repair or replace at the manufacturer’s option, without charge, a materially defective PRODUCT. If the manufacturer repairs the PRODUCT, they may use new or refurbished replacement parts. If the manufacturer chooses to replace the PRODUCT, they may replace it with a new or refurbished PRODUCT of the same or similar design. The manufacturer will retain defective parts, modules, or equipment. Repair or replacement of the PRODUCT, at the manufacturer’s option, is your exclusive remedy. The manufacturer will return repaired or replacement products to you in working condition. You should expect the repair or replacement to take approximately 30 days.

## **3. How long is the limited warranty period?**

The limited warranty period for the PRODUCT extends for ONE (1) YEAR from the date of purchase. If the manufacturer repairs or replaces a materially defective PRODUCT under the terms of this limited warranty, this limited warranty also applies to repaired or replacement PRODUCT for a period of either (a) 90 days from the date the repaired or replacement PRODUCT is shipped to you or (b) the time remaining on the original one-year limited warranty; whichever is longer.

## **4. What is not covered by this limited warranty?**

This limited warranty does not cover:

- PRODUCT that has been subjected to misuse, accident, shipping or other physical damage, improper installation, abnormal operation or handling, neglect, inundation, fire, water, or other liquid intrusion; or
- PRODUCT that has been damaged due to repair, alteration, or modification by anyone other than an authorized service representative of the manufacturer; or
- PRODUCT to the extent that the problem experienced is caused by signal conditions, network reliability or cable or antenna systems; or
- PRODUCT to the extent that the problem is caused by use with non-AT&T accessories; or
- PRODUCT whose warranty/quality stickers, PRODUCT serial number plates or electronic serial numbers have been removed, altered or rendered illegible; or

# Limited warranty

- PRODUCT purchased, used, serviced, or shipped for repair from outside the United States of America or Canada, or used for commercial or institutional purposes (including but not limited to products used for rental purposes); or
- PRODUCT returned without valid proof of purchase (see item 6 below); or
- Charges for installation or setup, adjustment of customer controls, and installation or repair of systems outside the unit.

## 5. How do you get warranty service?

To obtain warranty service in the United States of America, visit **[www.telephones.att.com](http://www.telephones.att.com)** or call **1 (800) 222-3111**. In Canada, call **1 (866) 288-4268**.



**NOTE:** Before calling for service, please review the user's manual; a check of the PRODUCT controls and features may save you a service call.

Except as provided by applicable law, you assume the risk of loss or damage during transit and transportation and are responsible for delivery or handling charges incurred in the transport of the Products) to the service location. The manufacturer will return repaired or replaced PRODUCT under this limited warranty. Transportation, delivery or handling charges are prepaid. The manufacturer assumes no risk for damage or loss of the PRODUCT in transit. If the PRODUCT failure is not covered by this limited warranty, or proof of purchase does not meet the terms of this limited warranty, the manufacturer will notify you and will request that you authorize the cost of repair prior to any further repair activity. You must pay for the cost of repair and return shipping costs for the repair of products that are not covered by this limited warranty.

## 6. What must you return with the PRODUCT to get warranty service?

You must:

- a. Return the entire original package and contents including the PRODUCT
- b. to the service location along with a description of the malfunction or difficulty; and
- c. Include "valid proof of purchase" (sales receipt) identifying the PRODUCT purchased (PRODUCT model) and the date of purchase or receipt; and
- d. Provide your name, complete and correct mailing address, and telephone number.

# Limited warranty

## 7. Other limitations

This warranty is the complete and exclusive agreement between you and the manufacturer of this AT&T branded PRODUCT. It supersedes all other written or oral communications related to this PRODUCT. The manufacturer provides no other warranties for this PRODUCT. The warranty exclusively describes all of the manufacturer's responsibilities regarding the PRODUCT. There are no other express warranties. No one is authorized to make modifications to this limited warranty and you should not rely on any such modification.

State/Provincial Law rights: This warranty gives you specific legal rights, and you may also have other rights which vary from state to state or province to province.

Limitations: Implied warranties, including those of fitness for a particular purpose and merchantability (an unwritten warranty that the PRODUCT is fit for ordinary use) are limited to one year from date of purchase. Some states/provinces do not allow limitations on how long an implied warranty lasts, so the above limitation may not apply to you. In no event shall the manufacturer be liable for any indirect, special, incidental, consequential, or similar damages (including, but not limited to lost profits or revenue, inability to use the PRODUCT or other associated equipment, the cost of substitute equipment, and claims by third parties) resulting from the use of this PRODUCT. Some states/provinces do not allow the exclusion or limitation of incidental or consequential damages, so the above limitation or exclusion may not apply to you.

**Please retain your original sales receipt as proof of purchase.**

## Technical specifications

REN	1.1B
Batteries	Four AA alkaline batteries
Operating temperature	32°F - 122°F
	0°C - 50°C



**[www.telephones.att.com](http://www.telephones.att.com)**